

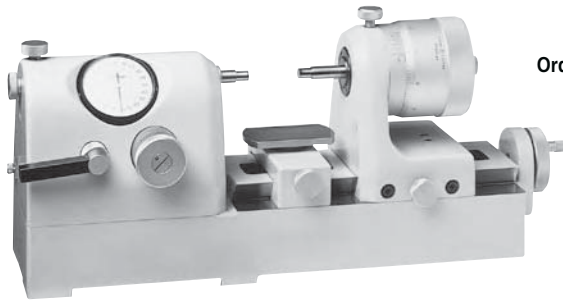
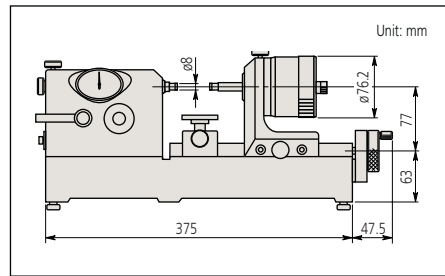
Bench Comparator

SERIES 162

FEATURES

- 25mm/1" stroke micrometer head (Graduation: 0.001mm/.0001") is provided.
- Retractable anvil with dial indicator for high accuracy inspection of mass-produced parts.
- Anvil pressure is variable.
- Adjustable workpiece stage height.
- Dial Indicator is shockproof.
- $\varnothing 8\text{mm}$ (or 3/8") probe of Mitutoyo Mu-Checker can be attached for higher precision measurement if required.

DIMENSION



Order No.: 162-101 (metric)
162-102 (inch)

Technical Data

Micrometer head stroke: 25mm or 1"
Graduation: 0.001mm or .0001"
Dial indicator range: $\pm 0.1\text{mm}$ or $\pm .005"$
Maximum workpiece length: 100mm or 4"
Mass: 15kg

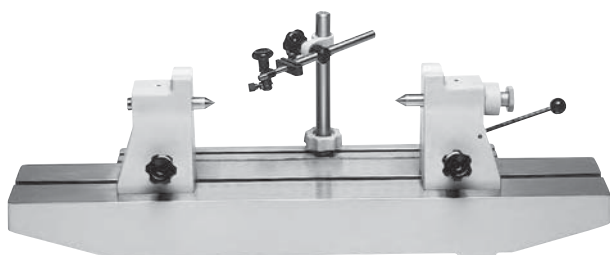
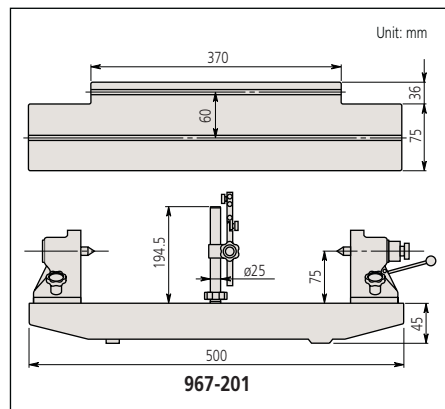
Bench Center

SERIES 967

FEATURES

- Used with a dial test indicator (optional), the Bench Center provides precision measurement of concentricity verification on cylindrical workpieces.
- With an indicator clamp. (Holding stem diameter: 8mm)

DIMENSION



Order No.: 967-201

Technical Data

Maximum workpiece dia.: 300mm
Maximum workpiece height: 150mm
Mass: 13kg